

### Features

- Single panel field sequential color Liquid Crystal On Silicon (LCOS) with digital drive
- 0.3" active display diagonal
- 720p (1280 x 720) array of mirrors (5.2µm pitch)
- Displays sequential colors up to 6 Color Fields per Frame (CF/F) with user programmable color field duration
- Syndiant architecture for improved power management and optical efficiency
- Panel illumination times greater than 95%
- Compatible with LED or Laser light source
- Up to 120 Hz frame rate
- Active alignment: 16 pixels in any direction (1312 x 752)

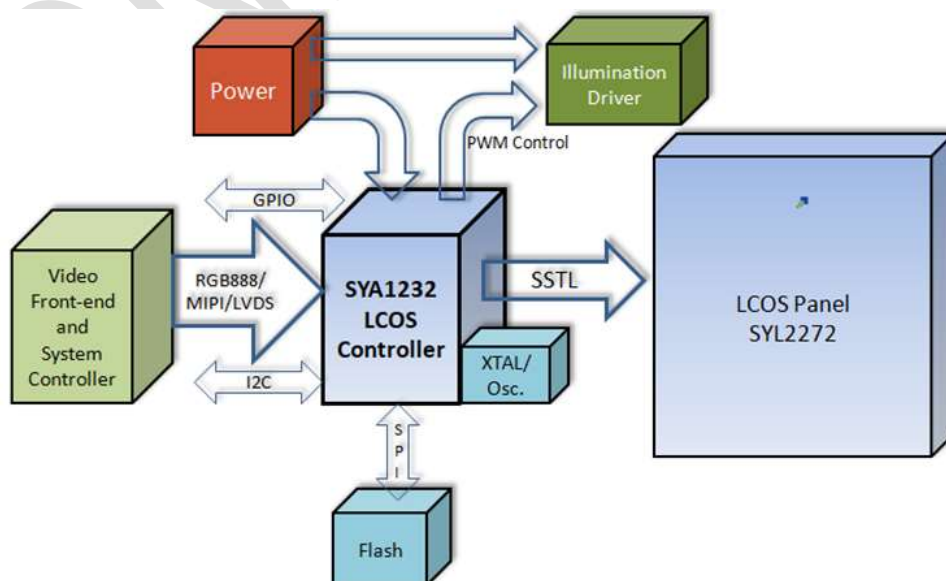
### Example Applications

- Portable media players
- Digital cameras & camcorders
- Near-eye displays
- Gaming projectors
- Set-top boxes
- Laptops & Tablets
- Multi-media players
- Head-up displays (HUD)
- Digital signage
- 3-D projectors

### Overview

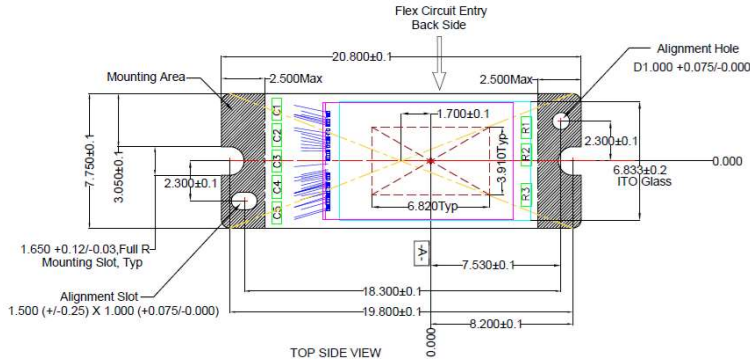
The SYL2272 LCOS micro-display, with a 0.3-inch size and 720p HD resolution, targets ultra-portable and embedded projection display applications. For HMD the SYL2272 enables a large FOV (field of view) in compact form factor. This micro-display provides excellent image quality, while capitalizing on the cost and power efficiency benefits synonymous with Syndiant's LCOS product lineup. SYL2272 excels in meeting the low power demands of battery-operated handheld devices, all while providing high-definition performance.

### System Block Diagram:

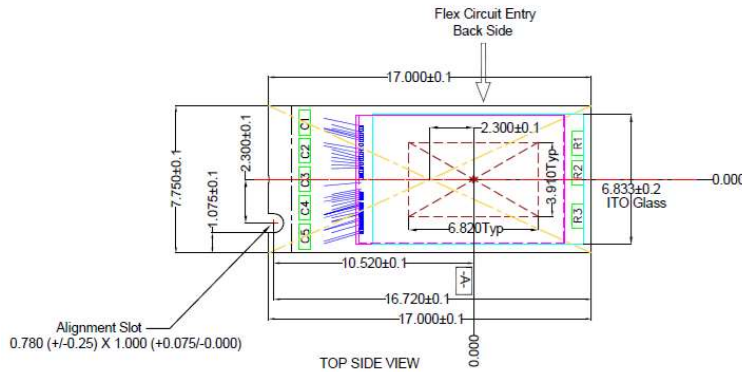


# Preliminary Mechanical Specifications:

## Chip on PCB package (42-2272-V0)



## Chip on PCB package (42-2272-V0-S0)



### Part Ordering Information:

The following table describes components that can be ordered from Syndiant related to this product:

Ordering Part #	Description
Panel:	
42-2272-V0	SYL2272-V0, 720p, 0.3" display panel chip on PCB (20.8x7.75mm) without an integrated light mask or compensator.
42-2272-V0-S0	SYL2272-V0-S0, 720p, 0.3" display panel chip on PCB (17x7.75mm) without an integrated light mask or compensator.
ASIC:	
22-1232-00	SYA1232 LCOS Controller
Development Kits:	
71-2214-01	SYL2272 Basic Development Kit with 2 X 42-2272-V0 panels
71-2214-02	SYL2272 Development Kit with LED Projector Optical Engine
71-2214-03	SYL2272 Basic Development Kit with 2 X 42-2272-V0-S0 panels

Syndiant, Inc.  
 www.syndiant.com  
 Email: [info@syndiant.com](mailto:info@syndiant.com)

18325 Waterview Parkway, Suite B101  
 Dallas, Texas 75252-8026 USA

